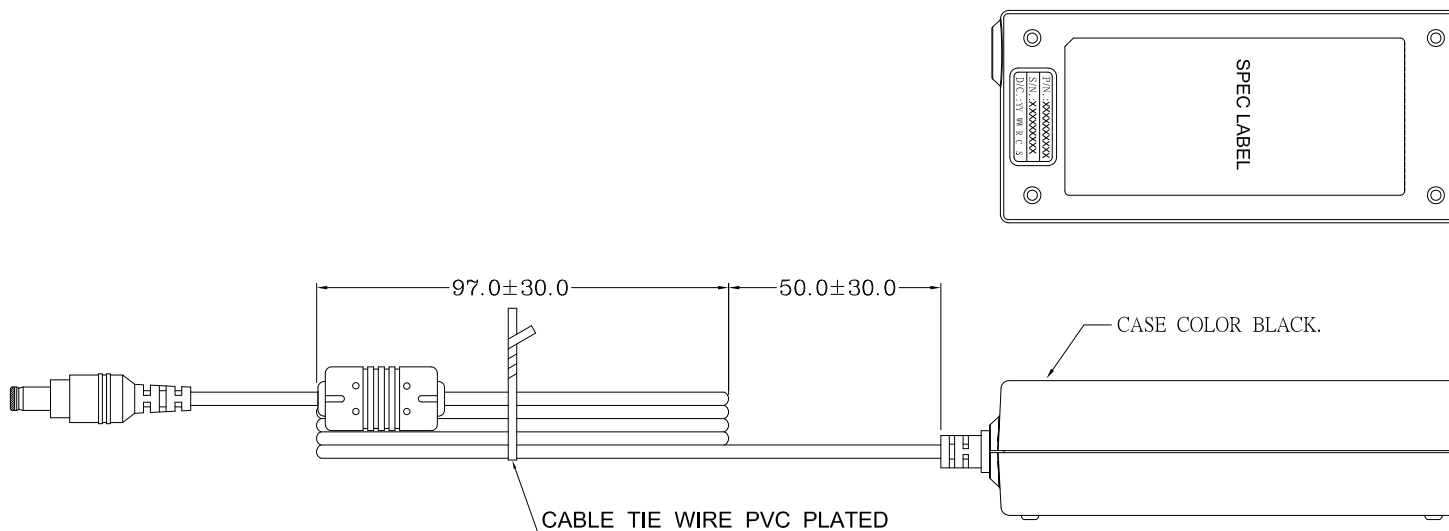
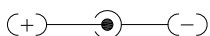
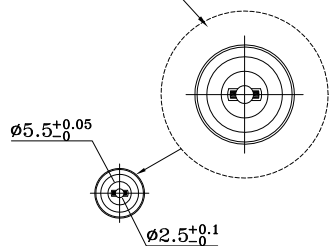


音叉車溝式內縮0.5mm



P/N.:9NA0406300

2 修改線號為1185圓管線;PLUG模具改180'

TOLERANCE FOR UNMARK DIMENSION IS ±0.5
UNIT:mm

MODEL NO. : G.P,FSP040-DRAN2	TITLE: ASSY	SHEET: 1 OF 1	REV:02
R&D(5)	PE	DRAWN	DATE
梁羅倫Lawrance	Victoryu	ANGELH	SEP.10.2015
INTERIOR COUNTERSIGN:		OAD15049433	

Mechanical Drawing(外觀/機構圖)