

- Wide Input Range for Worldwide use (up to 305Vac)
- Built-in PFC Function: up to PF 0.99
- IP67 Design for Outdoor Installation
- Suitable to Dry, Damp, Wet Location
- High Surge Protection: 6kV/6kV(IEC61000-4-5)
- High Reliability & Long Life 50,000hrs
- Type HL LED Driver for use in Class I Division 2 Hazardous Location Luminaires
- All-Round Protections: Short Circuit/ Over Voltage/ Over Temperature
- Safety: Meet IEC61347-2-13, UL8750 & EMI EN55015



FSP320-SZAE-XX  G  
 G Type: IP67 rated with Io & Vo fix  
 MG Type: IP67 rated with 1-10V, PWM Dimming Function

### SPECIFICATION

Model Name	FSP320-SZAE-24G	FSP320-SZAE-36G	FSP320-SZAE-48G	FSP320-SZAE-54G	
Output	Rated Power	320.16W	320.4W	321.6W	321.3W
	Output Voltage	24V	36V	48V	54V
	Rated Current	13.34A	8.9A	6.7A	5.95A
	Output Current Accuracy	±5%	±5%	±5%	±5%
	Ripple & Noise (typ.) [2]	250mVp-p	300mVp-p	350mVp-p	350mVp-p
	Line Regulation	±1%	±1%	±1%	±1%
Turn On Delay Time, Rise time	≤2500ms, 80mS /115Vac ≤500ms, 80mS /230Vac				
Input	Input Voltage/ Frequency [3]	90~305Vac/ 47~63Hz (Please refer to Static Curve)			
	Power Factor (typ.)	PF ≥ 0.98 /115Vac PF ≥ 0.95 /230Vac PF ≥ 0.94 /277Vac @ Max. Load			
	Efficiency (typ.)	93%	93%	93.5%	93.5%
	Total Harmonic Distortion [4]	THD <20% (@Output Loading ≥50% at 115Vac, 230Vac)			
	AC Current (typ.)	≤3.5A /115Vac ; ≤1.65A /230Vac ; ≤1.45A /277Vac			
	Inrush Current (typ.)	≤70A at 230Vac, 25°C cold start			
Environment	Leakage Current	≤2.5mA/277Vac			
	Operating Temperature	-40°C ~ +70°C (Please Refer to "Derating Curve")			
	Operating Humidity	20~95% RH non-condensing			
	Storage Temperature, Humidity	-40°C~+85°C, 10%~95%RH			
Protection	Vibration	10~500Hz, 5G 12min./1cycle, peruid fir 72 min. each along X, Y, Z axes			
	Over Voltage Protection	<33V	<46V	<58V	<65V
	Short Circuit Protection	Shut down and no damage			
	Over Temperature Protection	Shut down and no damage			
Safety & EMC	Safety Standards	Design Refer to UL8750 /Class P/ Type HL ,IP67			
	EMC Standard	Compliant with EN55015/CISPR22 CLASS B, Compliant with EN61000-3-2 Class C (≥50% load), EN61000-3-3			
	Surge Protection	line-Earth 6KV, Line-Line 6KV			
	Withstand Voltage (Hipot)	I/P-O/P 3000Vac, I/P-FG 1500Vac, O/P-FG 1500Vac			
	Isolation Resistance	I/P-O/P, I/P-FG: O/P-FG 100M ohm @ 500Vdc/ 25°C			
Others	Life Time [5]	50,000 hours at Tcase of ≤ 75°C			
	MTBF	151,700 hours, MIL-HDBK-217F(25°C)			
	Dimension (LxWxH)	260 x 84 x 42.5 mm			
Net Weight / Packing	1.621kg; 10pcs/ 17.25kgs				

#### Notes:

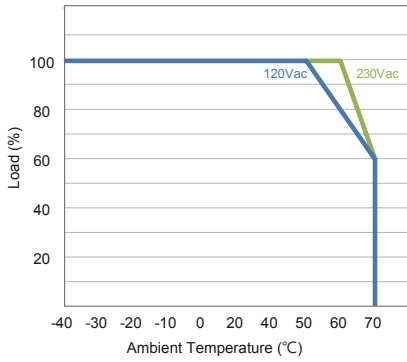
1. All data NOT specially mentioned are measured at 230Vac/ 50Hz input, full load and 25°C of ambient temperature.
2. The ripple & noise must be measured under the condition of paralleled between the output connector with 0.1uF/100V Ceramic capacitor and 10uF/100V aluminum electrolytic capacitor at rated output.
3. Derating may be needed under low input voltages. Please check the static characteristics for more details.
4. Measured at rated output voltage
5. Measured at 230Vac/50Hz input, 80% load.
6. The power supply is considered as a component that will be operated in combination with final equipment. Since EMC performance will be affected by the complete installation, the final equipment manufacturers must re-qualify EMC Directive on the complete installation again.



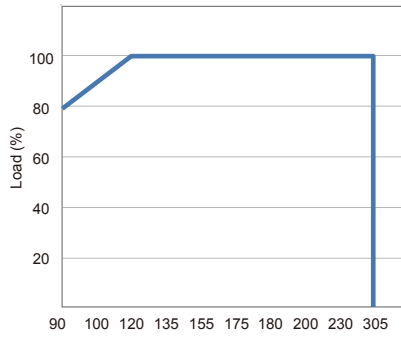
### FSP TECHNOLOGY INC.

www.fsp-group.com / sales@fsp-group.com.tw  
 NO.22, Jianguo E. Rd., Taoyuan City, Taiwan, R.O.C.  
 TEL : +886-3-375-9888 / FAX : +886-3-375-6966

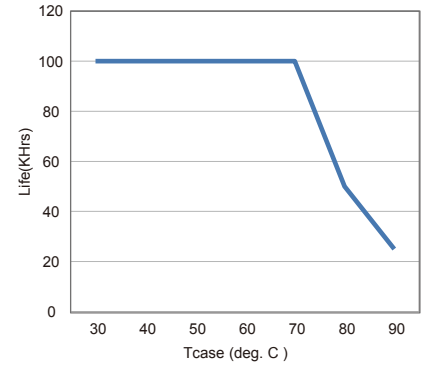
**Derating Curve**



**Static Curve**

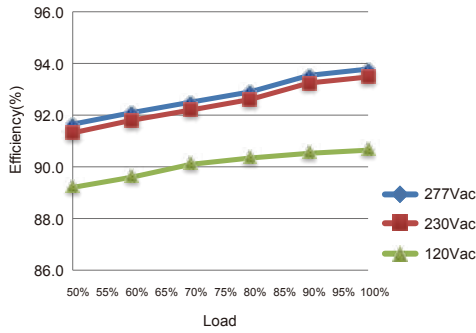


**Life Time**

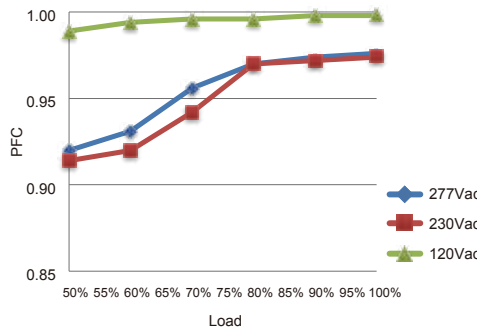


**Efficiency**

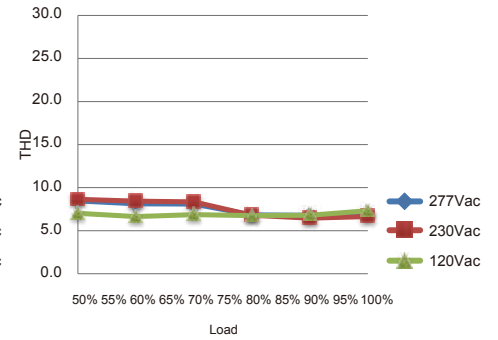
\*FSP320-SZAE-24G Model



**PFC vs Loading**

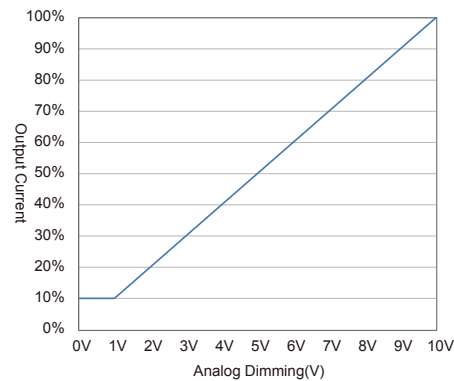
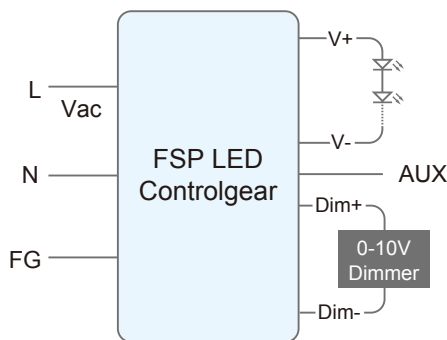


**THD vs loading**



**0-10V Dimming Curve**

\*Direct connecting to LEDs is suggested

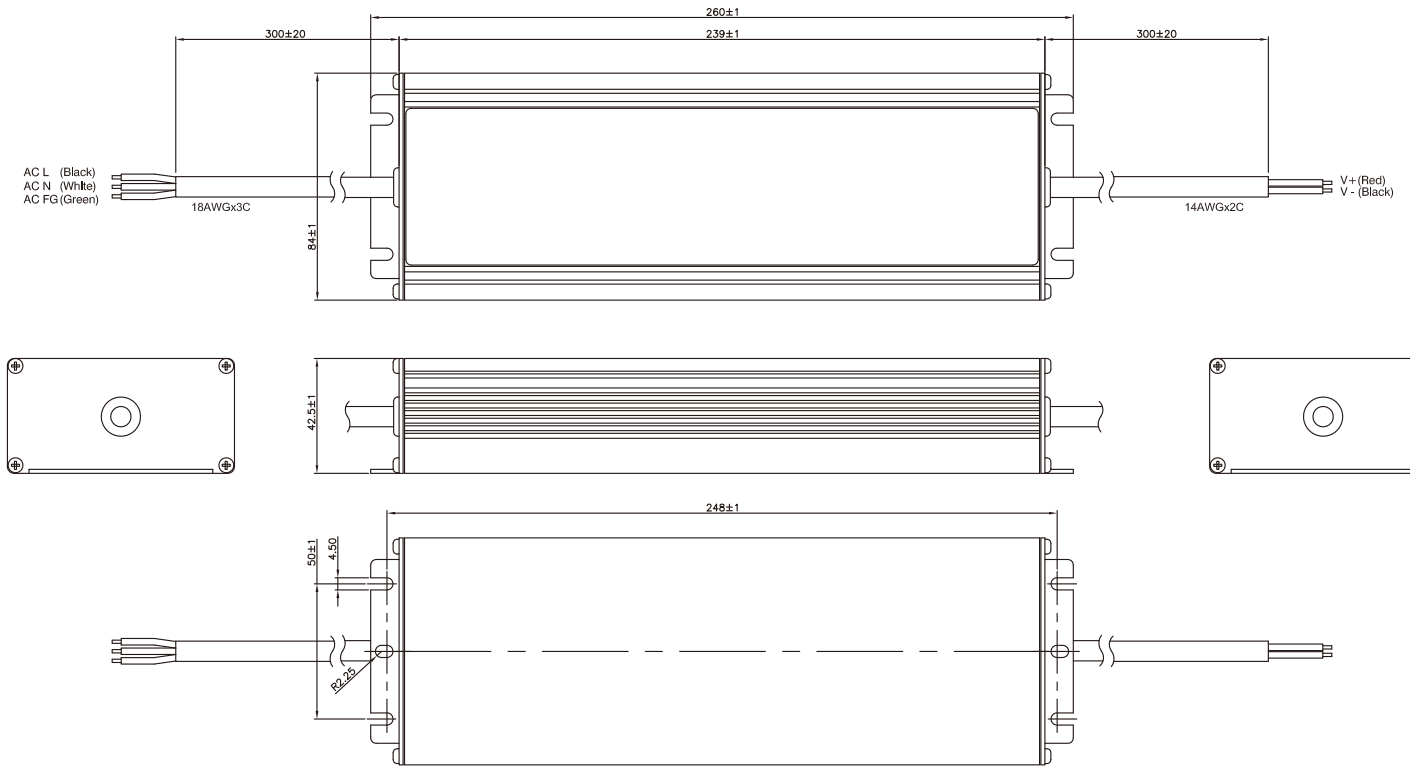


**FSP TECHNOLOGY INC.**

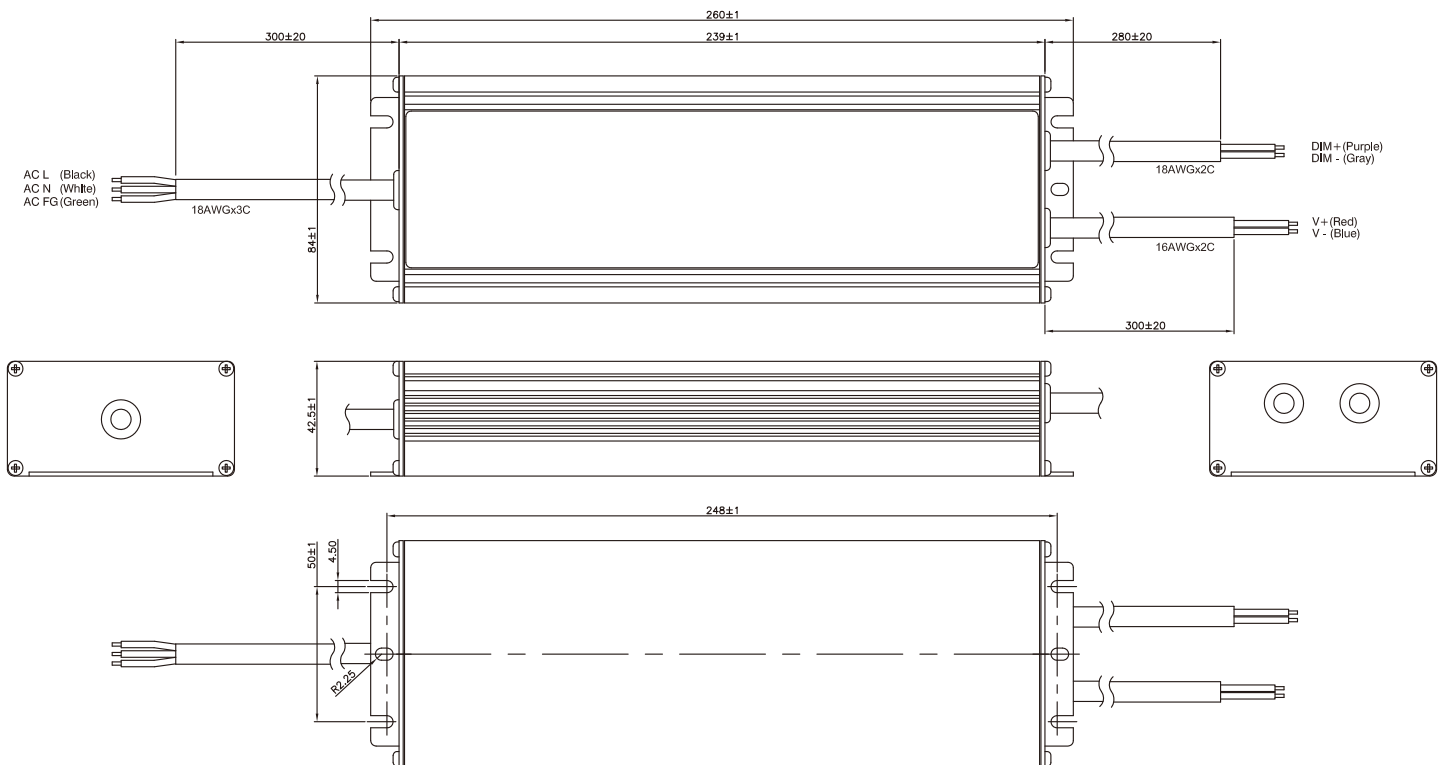
www.fsp-group.com / sales@fsp-group.com.tw  
 NO.22, Jianguo E. Rd., Taoyuan City, Taiwan, R.O.C.  
 TEL : +886-3-375-9888 / FAX : +886-3-375-6966

## G Type: FSP320-SZAE-XXG

Unit: mm



## MG Type: FSP320-SZAE-XXMG



### FSP TECHNOLOGY INC.

www.fsp-group.com / sales@fsp-group.com.tw  
 NO.22, Jianguo E. Rd., Taoyuan City, Taiwan, R.O.C.  
 TEL : +886-3-375-9888 / FAX : +886-3-375-6966